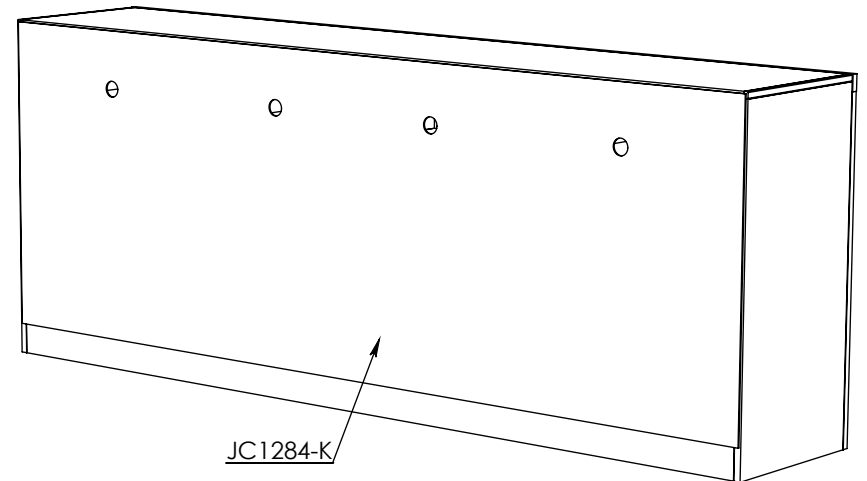
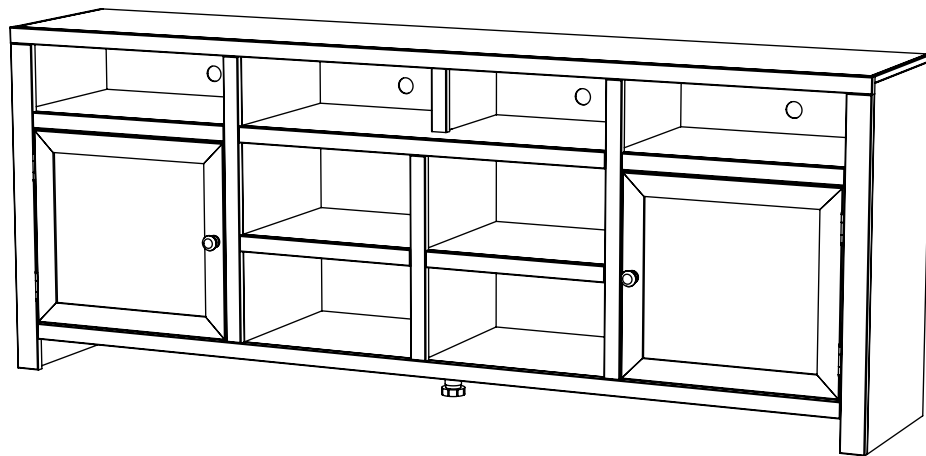
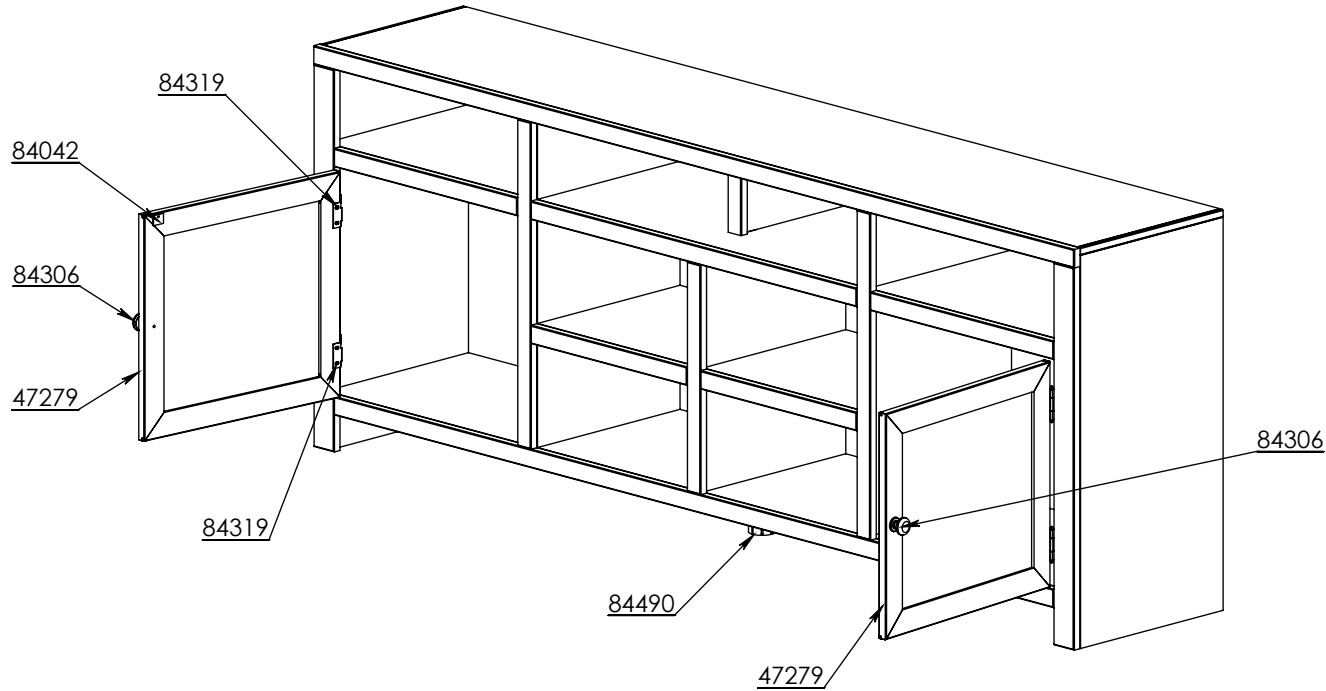


Sellable Parts List

JC1284

Some Items In The List To The Right
May Not Show In The Diagrams Below.

PART NUMBER	DESCRIPTION
JC1284-K	JC1284 Luan Backing
JC1284-HA-R	JC1284 Hinged Panel Door Frame
47279	47279 S/A Mitered F&P Door
84319	84319 Hinge FF Mount Free Swing
84511	84511 Plastic Adjustable Leg Base Socket
84490	84490 Short Plastic Adjustable Leg
84042	84042 21mm x 26mm Metal Strike Plate
84036	Single Magnet Stationary Touch Latch
84306	84306 Hammered Bronze Knob
84214	Furniture Tipping Restraint Kit



PART NUMBER	DESCRIPTION
JC1984-KB	JC1984 Bottom Luan Backing
JC1984-KT	JC1984 Top Luan Backing
84214	Furniture Tipping Restraint Kit

